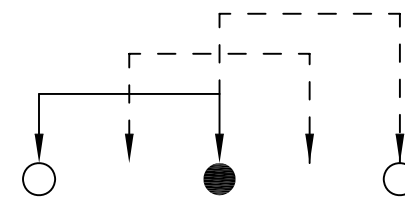
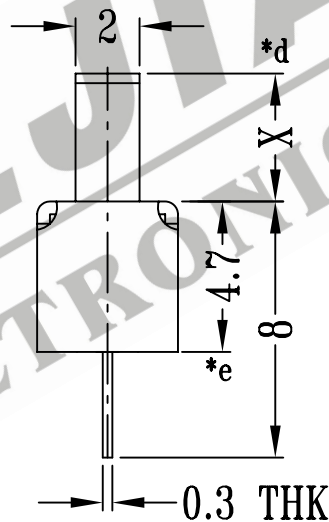
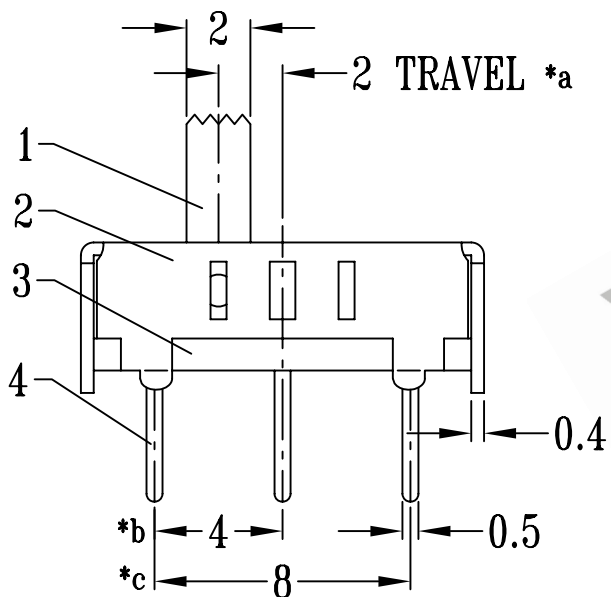
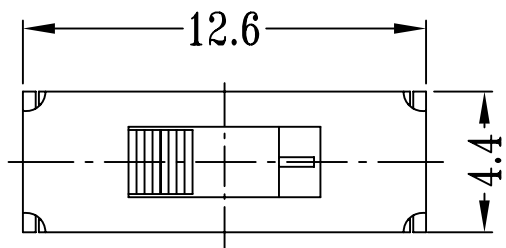
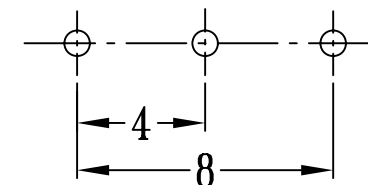


CAD FILE:



**SCHEMATIC (NON-SHORTING)**



**P.C.B LAYOUT**

注:带"\*"表示关键尺寸(5个)

				TOLERANCE UNLESS SPECIFIED	SHENZHEN XIEJIA ELECTRONICS CO.,LTD.					
				WITHIN: 1.5±0.1mm OVER : 1.5±0.2mm	ISSUE	DATE	DESCRIPTIONS OF REVISION		APPD.	
8										
7										
6	CONTACT (CLIP)	PBS	1	Ag CLAD	TITLE : VERTICAL SLIDE SWITCH		UNIT : mm		DRWG NO.: XJ-DR-SS13D02-00	
5	SPRING PLATE	STAINLESS STEEL	2	NATURAL			SCALE: 4:1		DWN.	ZHOUYU
4	TERMINAL	BRASS STRIP	3	Ag PLATED OVER Ni PLATED	MODEL: SS-13D02		CHK'D		FANGYING	2006-5-2
3	TERMINAL BASE	PHENOLIC RESIN	1	BLACK			APPD.		KANGXINAN	2006-5-2
2	FRAME	STEEL STRIP	1	Ni PLATED	ALL MATERIALS MUST BE COMPLIANT TO ROHS					
1	KNOB	POM	1	BLACK						
NO.	PARTS	MATERIALS	Q'TY	FINISH						